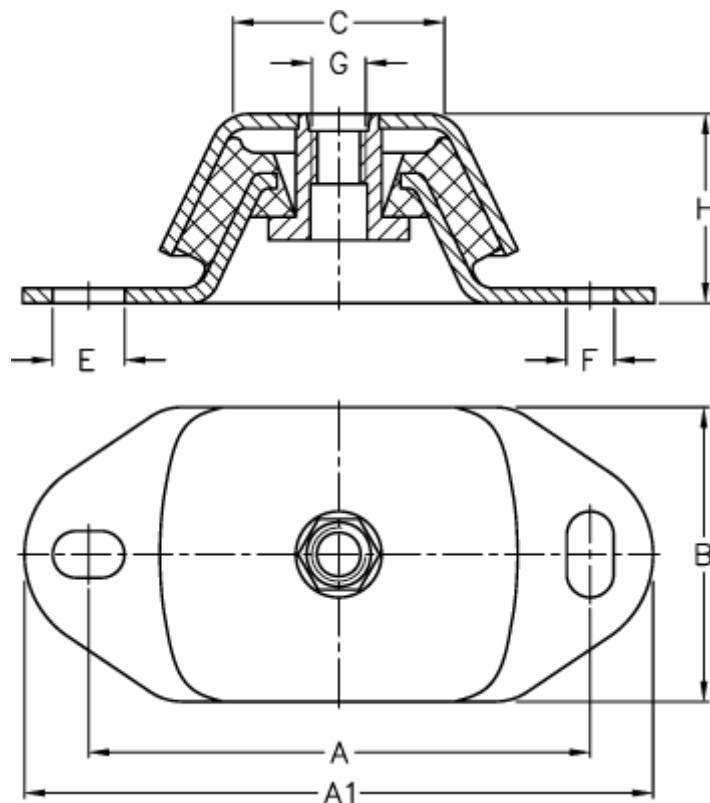


Article number: 51834517160010

Description: Vibration damper MF 02

Measures



A = 140

A1 = 183

B = 75

C = 75

E = 20x13

F = 13x30

G = M16

H = 50